

## PLS-031A-3PPI



## PLS-031A-3PPI

Miniature Level Sensor

### Electrical Characteristics @ 25 °C

Contact form		A
Contact rating max.	W / VA	10
Switching voltage max.	VDC	200
	VAC	140
Switching current max.	A	1
Carry current max.	A	1.2
Breakdown voltage min.	VDC	240
Total resistance max.	mΩ	280

### Environmental Characteristics

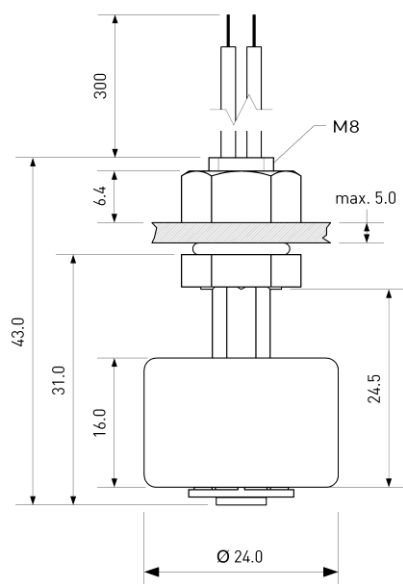
Operating temperature	°C	-20 to +80
Storage temperature	°C	-30 to +80

### Mechanical Characteristics

Density of float typ.*	g / cm <sup>3</sup>	0.7
Recommended minimum gravity of medium	g / cm <sup>3</sup>	Density of float + 20%

\* in delivery condition

### Dimensions in mm



### Features

- Polypropylene housing
- Suitable for food contact
- Covers a wide range of applications
- Customized types available

### Approvals

RoHS

REACH

IP 67

CE US

### Ordering Information

Packing Unit	10	pcs
Weight per piece	10.5	g
Weight per package	115	g

PLS-031A-3PPI



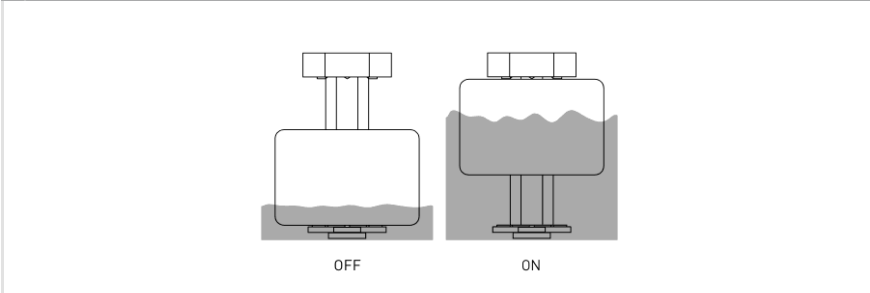
**PLS-031A-3PPI**

Miniature Level Sensor

Material Information

	Material	Colour
Housing	PP	white
Cable	UL 1007, AWG 24, 4 mm stripped and tinned	white
Nuts	PA66, M8, 1 pc preassembled	white
Float	PP foam	white
Potting	PU / Epoxy	black
Sealing ring	Silicone	white

Operation View

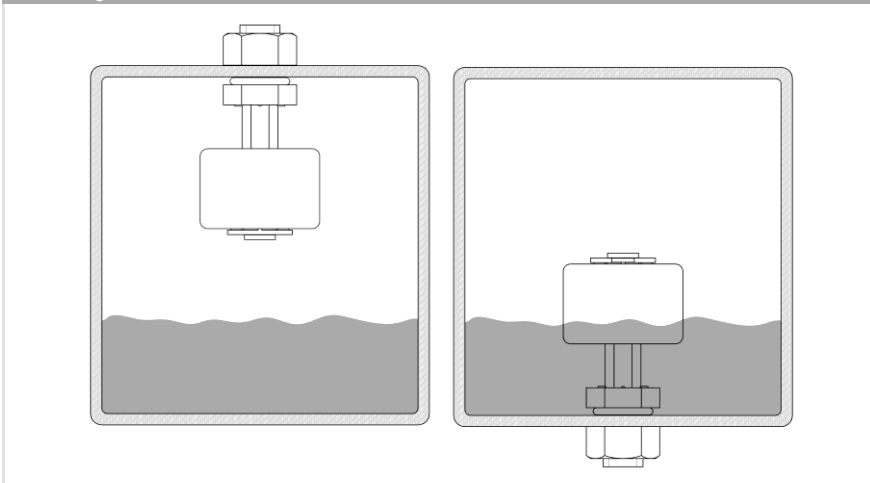


Remarks

When mounted near ferromagnetic parts switching distance of PLS-031A-3PPI may vary.

Electromagnetical influences and magnetic fields may change the switching behaviour of the Level Sensor.

Mounting



When mounted stem up, operating functions are reversed.